



File Name: caloric prestige series manual.pdf

Size: 2543 KB

Type: PDF, ePub, eBook

Category: Book

Uploaded: 24 May 2019, 20:46 PM

Rating: 4.6/5 from 842 votes.

Status: AVAILABLE

Last checked: 15 Minutes ago!

In order to read or download caloric prestige series manual ebook, you need to create a FREE account.

[**Download Now!**](#)

eBook includes PDF, ePub and Kindle version

[Register a free 1 month Trial Account.](#)

[Download as many books as you like \(Personal use\)](#)

[Cancel the membership at any time if not satisfied.](#)

[Join Over 80000 Happy Readers](#)

Book Descriptions:

We have made it easy for you to find a PDF Ebooks without any digging. And by having access to our ebooks online or by storing it on your computer, you have convenient answers with caloric prestige series manual . To get started finding caloric prestige series manual , you are right to find our website which has a comprehensive collection of manuals listed.

Our library is the biggest of these that have literally hundreds of thousands of different products represented.



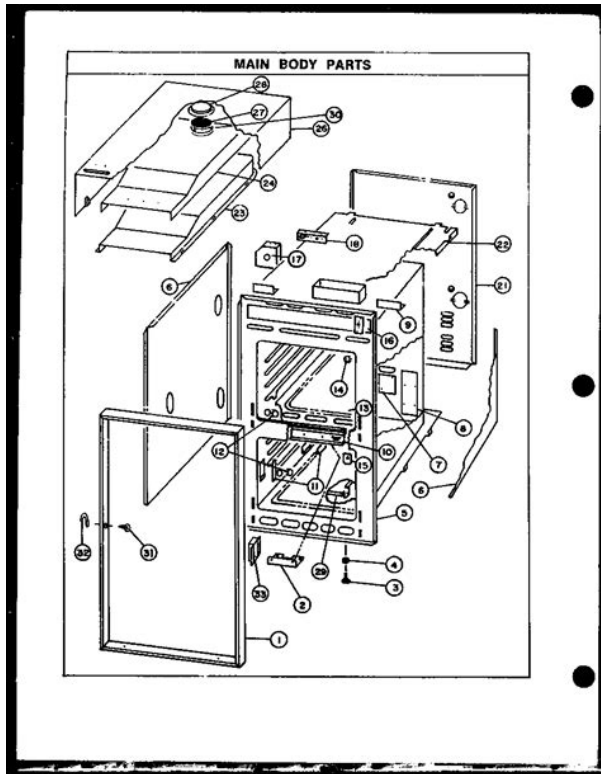
Book Descriptions:

caloric prestige series manual



Hold times are long. Join Repair Clinics VIP email list for 10% off, plus other discounts and tips. Weve got millions of parts, hundreds of brands, and thousands of stepbystep videos— everything you need to find it, fix it and finish the job right. The model number that you gave is not giving any good results. You can go here and look at these igniters to compare with the one on your range. You might get lucky and one of these could be a replacement that will work. Most local range parts suppliers are very helpful on locating hard to find parts but you may need to remove the igniter and bring it in so they can match it up in their catalog. You might also be able to find the correct igniter if you use the part number on the ceramic igniter housing to do a parts search with. The igniter is a small, round or rectangular device, thats about 1 inch by 4 to 8 inches. Its near the burner itself. The burner is the tubetype device the gas flows through before its ignited. It has many small holes on the sides to let the gas, when ignited, form a long, low flame. If the igniter is weak, if it glows red but doesnt get hot enough, or if its burned out, the gas doesnt flow to the burner and the burner wont ignite. If this is the problem, you may need to replace either the igniter or the gas safety valve. Usually the igniter is to blame. Other causes. Other reasons that your oven may not bake are The thermostat is defective. The safety valve that prevents accidental gas flow is defective. The selector switch is defective. It will reset itself and stay off for awhile then it will come on by itself again sooner or later. What is the problem This is intended as an energy saving feature as well by reducing the amount gas used on a gas range and the amount of electricity with an electric range. If the broiler comes on and STAYS on while you are baking, this is NOT normal and is probably an indicaiton that you have a problem with the Electronic Oven Control EOC board. <http://conformhabitat.com/UserFiles/digital-rapids-manual.xml>

- **caloric prestige series oven manual, caloric prestige series gas oven manual, caloric prestige series gas stove manual, caloric prestige series wall oven manual, caloric prestige series electric oven manual, caloric prestige series electric stove manual, caloric prestige series manual, caloric prestige series manual, caloric prestige series oven manual pdf, caloric prestige series owner manual.**



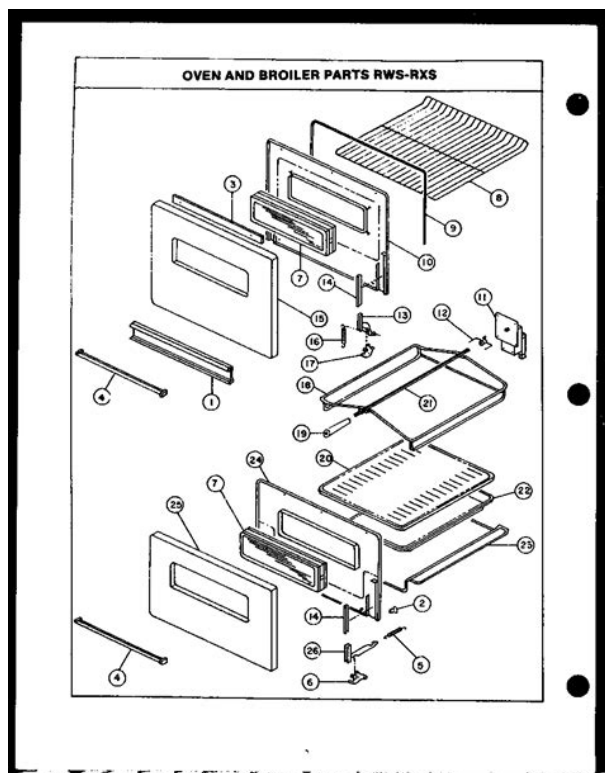
The EOC controls all the oven features. If you have any questions, please post back and let me know. Please post your MODEL NUMBER when submitting questions, so I can determine how your range is configured. I hope this helps you. Login to post Where do I find one for selfcleaning operation This is a picture of the regulator and gas valve the wire nuts at the top of the pic just left of center are on the leads that go to the igniter. Took of the gas control handles and cleaned w 409. Well stepped away from stove to clean handles. Hear a popping noise and a smal It needs to be replaced. Please post back! This is intended as an energy saving feature as well by reducing the amount gas used on a gas range and the amount of electricity with an electric range. I hope this helps you. Where do I find one for selfcleaning operation Lights, fan, display all out. Took filter off. No blinking display light. Chkd power in and I have power. Ohms tested fuse, ok. Read manual. Troubleshooted to pcb and removed. Are there any further bench testing I can do before replacing board Clock is on, and all the other buttons work on the front panel. Is there a reset code or way to reactivate this button Answer questions, earn points and help others. Recently, the oven has failed to ignite on occasion and if left at a degree setting for a brief period of time without igniting, there is a faint odor of gas emanating from the oven cavity. However, the inverted triangular shaped element at the center of the ceiling of the lower broiler compartment does not produce a flame at times. If replacement of the igniter is only necessary, can you provide me with the correct item number for the replacement part. Caloric often prints reference numbers right on the old part. If you can read it, that number may be traceable to a current replacement part number. <http://www.flavorsofindiaflorida.com/userfiles/digital-radiography-manual.xml>



If your model is not listed in their online catalog, you may have to contact them with the model information for them to manually look up the proper replacement part. Only if the original is not available at all or priced prohibitively would I recommend a generic or after market replacement. There should be no reason that a genuine factory replacement ignitor is not available for your oven. It's not that old as far as appliances go. Does it matter which of the two igniter leads is attached to the green and white wires which provide the electricity? Does it matter which side should be facing the ceiling of the oven? Amana incorporated their stove designs into their own Amana product line. Many parts will be similar between those brands. To my knowledge it should not matter which side faces the gas flow as long as it is oriented and positioned the same as the original was. The open side of the protective cage must face the burner ports. Some exceptions apply. Learn how our pricing differs from other firms. Do you have a failed Caloric RSK3700UL control panel. Click here We can repair or replace your faulty Caloric RSK3700UL timer. The oven is not staying on and warming. It turns on and turns right off without warming up. Awaiting receipt of timer Common problems for Caloric RSK3700UL Gas Range Timer Are you encountering a similar problem as them. Contact us now and we will try to help you fix your RSK3700UL timer related problem. My Caloric oven won't ignite. Broiler works. range top works, but oven won't ignite. Is it just a case of needing a new ignitor. We have a Caloric model RSK3700UK. Neither the oven nor the broiler will light. Neither ignitor seems to glow at all. The range top works as normal. Any suggestions Oven will not light up properly not heating, error read F3 M rsk3700ul, s.a XXXXXXXXXXXX caloric oven bake broil and clean push buttons do not register. Any idea what's wrong.

The ignitor glows red and the gas flows when I uncover the elements to see what is happening. Help!! Wife is asking for a new Oven. When the door was opened the noise stopped but started again intermittently once the door was closed. The noise has now stopped but the fridge is not cold. The freezer part is fine. The thermostat on the front of the appliance is still showing the fridge temperature as 4 deg C. but the temperature is definitely not 4 deg C. My guarantee expired in 3 months ago on this appliance. Please can you help The oven and broiler will not come on, the top burners are OK. Would appreciate any help Alan The dual burner element on top part of my range on this model has gone out in the center portion. It seems that Dacor had some trouble with a new company making the part and pulled it the new maker was doing a service kit that included a new switch even though only the burner element was needed. I think there may have been wiring difficulties with installation but I'm not sure. Now in talking to Dacor directly, THEY gave me the 70041101 number as the current part number for the dual burner and said it WAS available BUT I think it's really for the dual COOKTOP and not the freestanding unit model. YOUR website has a part that lists this parts old and new part numbers. 1 Is it a kit with a switch included 2 Does it require a

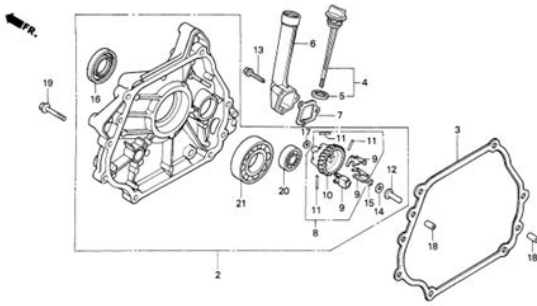
rewire instead of wiring the same way as the original burner that I need to replace 3 Do you know if this is the part that caused problems when original Replaced the Dual Gas Valve in the subject unit because the Bake Ignitor would come on, glow brightly and maybe and maybe not the Bake side of the valve would open. Broiling side works fine. Baking side of new valve will not open even though Ignitor is glowing brightly. And, again, Broiling function works fine. Checked voltage between Ignitor and Valve. It was around 3 vac hooked to valve and 118 vac checking with lead disconnected from valve. Cant figure this one out.



<https://formations.fondationmironroyer.com/en/node/8664>

I was told it was probably a faulty gas valve as I do not smell gas when the oven is not in use. The oven light and clock works. I have a caloric self cleaning oven ultra ray broiler and the oven timing clock keeps buzzing Parts Storage Drawers RSK3700UL RSK3700VL Saxxxxxxxxxx The RSK3700UL Gas Range uses timer part number 31307045. Vintage Caloric ultraray WIRING DIAGRAM OF CALORIC GAS You smell clock for sale series 19 hundreds. Experts in relay boards, washer timers, dryer timers, timer repair, range timers, dishwasher panels and ERCs. Learn how our pricing differs from other firms. Do you have a failed Caloric RSF3400UL control panel. Click here We can repair or replace your faulty Caloric RSF3400UL timer. Contact us now and we will try to help you fix your RSF3400UL timerrelated problem. The oven igniter seems to glow as brightly as the broiler igniter, but there does not appear to be any gas flow through the oven burner tube. Could the gas valve that I understand feeds both the oven and broiler be the problem. Working within such a narrow compartment I had a problem with the fridge about a month ago where both the fridge and freezer werent working. I used the screwdriver on the defrost clock and then it started to work. I let it run for a month and the fridge part doesnt get very cold even at the coldest setting. The freezer works just fine. I just replaced the defrost clock thinking that was the problem but the fridge still isnt getting any colder. Ive just checked the back wall of the freezer and there is frost on it. Could this have been caused by my using the appliance for the last month with a faulty defrost clock. Is it possible that I caused something else to go wrong by not replacing the defrost clock right away. If I just uplug the refridgerator for awhile would that fix it.

<https://www.freizeitbauwagen.de/images/brompton-bike-owners-manual.pdf>



At the lowest settings for the fresh food side and freezer side the freezer was at 5 F and the fresh food side froze everything and caused a soda can to rupture and it was still running. It sits in the attached garage near the back door to the house where it has been for 6 years and only rolled out and back to paint the wall behind it. How people are finding this page if my clock isnt working on my caloric prestige series stove can i still use self cleaning feature. Experts in relay boards, washer timers, dryer timers, timer repair, range timers, dishwasher panels and ERCs. My apartment is equipped with a 30year old more or less Caloric Prestige self cleaning gas oven. The model number RST376UW. And Im a little afraid to experiment with it! Ill then figure out whether I feel safe in playing with it. And Im not holding anyone other than myself responsible for any ovenrelated mayhem. Im happy to have any information I can weigh against the risk of. The bridge of the oven has a digital clock, and is called the oven timing center, with buttons for minute timer, clock setting, stop time, cook time, clean, broil, and bake temp. Is this familiar to anyone. Thanks in advance! The link takes you to a funky Google cache of the original page, which itself seems to be broken at present. AskMefi brings out my latent faith in humanity. Its times like this that makes me miss the old paper Yellow Pages. Search for this kind of local business was actually swifter with fewer interesting detours. This is an excellent start. I bow again to the HiveMind. This is a great community. It is black in color and is made of plastic. This knob has a piece of decorative chrome on its top. Be very careful to not touch the black element part of this igniter as it is very fragile. However, as with the majority of selfcleaning ovens, this means that ovencleaning products cannot be used in them. Setting up the selfcleaning process is quite simple on a Caloric oven.

<http://www.acquaproget.com/images/brompton-manual-2010.pdf>



After the oven begins the selfcleaning cycle, it doesn't need additional monitoring or assistance. Make sure everything is removed from the Caloric oven, including the oven racks and broiler pan. Take all of the pots and pans out of the lower storage drawer, if necessary. Shift the oven's locking lever as far to the right as it will go, tugging on the door to make sure it's firmly latched. The selfcleaning system will not operate if the door is unlocked. Set the clock on the range to the correct time if your oven has an automatic oven timer. If the oven does not have an automatic timer, the model's cleaning cycle is preset to two and a half hours. Skip to Step 4 if this is the case. Set the start and stop times on the timer by pressing in on the knobs on each of the clocks. The minimum amount of time required for a selfcleaning cycle on a Caloric oven is one and a half hours; the maximum amount of time is three hours. Allow the oven to operate undisturbed while selfcleaning. Do not tug on the door or attempt to unlock the oven until after the cleaning light switches off and the door feels cool to the touch. At least I think that's the year. The model number on it is very hard to read. I think it says model JO73 or J073. Could anyone please tell me if that is the right model number, and if it really is a prestige series, or if it's a heritage series. Nice lighted panel. Great stove! Does it have the UltraRay or bottom broiler? Video Downloads Digital Millennium Copyright Act Policy Our Privacy Policy. We have a VERY old Caloric Pilotless gas oven in our kitchen. Not sure how old though. I scanned the interior of both compartments and cannot find a model number. Last Thursday evening, we could not start the oven. The night before we were able to use it. We figured it was the igniter. So I took the old one to Sears which is where I got it years before. This time I took it back to Sears and they guessed again.

It would start to glow and then the gas would come on but wouldn't light the burner. My friend had me try to light it with a match to see if the gas was getting to the burner. I did this twice once at the center of the burner and the other right next to the igniter placed under the burner. Both times, the burner lit. It seems that the igniter doesn't get hot enough before the gas starts entering the burner. I tried different positions for the igniter to no avail; each time getting closer and closer to the burner. The last position I tried was right under the burner. Without a model number, Sears can't get the proper igniter for me and I left the last one I had at Sears who tossed it since. Can anyone give me advice on what I should do? Thanks. Jim Based upon the problem description after the new igniter was installed, my guess would be that igniter isn't the correct part. Its resistance value to the flow of electrical current allows the burner control valve to open too soon. Before the igniter glows bright and hot enough to light the burner gas. Also not likely matched to the gas control valve. A common problem when one part is replaced without replacing the other. Igniter matched to gas control valve. Which covers up the electrical wiring and gas piping. Or behind the

appliance or under the top burner lid, stuck to the bottom of a pull out draw, on the back cover panel, on a doors inside panel, etc. No manufactures standardized location in the appliance industry for such. Suggestion Call the manufacturer. Maytag Appliance Home Page Maytag 18006889900 USA Maytag 18006882002 Canada Maytag is also the maker of Amana, JennAir, Magic Chef and Caloric Appliances. Use the reply button to add additional information or questions. Using the reply button keeps or moves the topic back up to the top of the list automatically and keeps all communications on this subject in this thread. Regards and Good Luck.

<http://mfplus.ba/wp-content/plugins/formcraft/file-upload/server/content/files/162700aee732d9---bos-bx35-user-manual.pdf>

I forgot to mention that my oven is incased on all sides except the front. I dont know where the gas control valve is or what it looks like. Can you reference me a web site where I can find a diagram of where this part is relevant to the igniter Thanks.Which they likely will be when purchased at any local appliances retail parts store. Bring appliances brand name, serial number and model number with you. I highly suggest making the parts purchase locally, not online, since youre not familiar with such parts, etc. There should be no need to remove any outside panels. Only remove doors and internal oven racks 2 and inside panels. Parts will be located there. Igniter located right next to burner in the back left corner near burner tube or may be located above burner tube. Has a with protective cover surrounding it. Look for gas control valve under lower broiler panel, behind back wall panel, etc. Rectangular part with two wires attached to it and an aluminum tube screwed into it. Follow the burner tube to the gas control valve. Burner tube sets on gas control valve. There is no guarantee parts removal or installation will be easy. Nor uncomplicated nor leak free when done. Youll have to install parts exactly as they currently are and do a gas leak detection test when completed, to insure no leaks exist. Should be easy if handy with small tools and have some mechanical experiences. Work slowly, carefully and make hand drawings if needed. Igniter is frail and fragile. Breaks easily. Handle with care and cautions. Read sticky note for more info. Cautionary Reminder Note Before attempting any repairs, be sure to unplug the appliance from the wall receptacle power source first. Regards and Good Luck.I was able to look under it and use a mirror to glance at the back of it. I couldnt find anything. I did find an access panel on the back of it but thats no use as I wouldnt be able to get to it without pulling the unit out.

By the way, there is no access to the gas control valve either, at least, from anywhere I can get to easily. I went to one appliance store where they sell older parts. The guy had a part and was sure it would work but wasnt sure if it was the right, obviously, without a model number to verify it. I would have to cut the connector off and then splice it to the wires. He also said I wouldnt be able to return the item after I leave the store. I checked the web and cant even find a manual for an old Caloric oven. I took a picture of my oven. If there was a way to post or send it, would someone be able to tell what model it is thanks. JimWhich is located in the reply window. Next to last yellow icon in the second row bottom section. Click the link to see the icon. Hold mouse button on the icon for an explanation. Insert Image Or upload photo to your personal photo site and provide a link to any photo or multiple photos that may be too large for this site and or fits into this reply window. Either method works fine. Your choice. You should be able to view them. Thanks. JimI did notice the one picture showed the entire oven rack covered with foil. This blockage prevents proper venting to occur and may cause a serious delayed ignition. It appears the gas valve is down low and behind the plate where the wires are showing.At the bottom rear of the oven, there are two access panels. The larger one was where the connection of the wires are located. The smaller access panel had only insulation behind it. I pulled the insulation and it showed the back interior wall. Those wires shown in the photo go up so I figure the gas valve is above that larger access panel which is not accessible to me. I can remove all of the insulation to make sure. About the foil creating a blockage of heat and a delayed ignition, wouldnt the gas be delayed from coming on then. Yet, the replacement part I

bought and installed made the gas come on before the igniter was hot enough. Thanks.

I checked behind all of that insulation. The control valve is not there. The wires lead up but I cant touch anything solid aside the back panel. So I agree with you, its behind the back plate but in an area where it is not accessible to me.If so was the original ignitor round with a round porcelain extension that fit into a hole in the rear panel of the oven. If so its a special ignitor not sure if available yet. I am going on a service call now on one so when i refresh my memory ill get back to you.Thanks for trying to help another member. However. Do you realize youre replying to a post Thread made on 0918 08 at 0828 AM. Original member asking the question is long gone and the post is now several years outdated and possibly obsolete. Cheers. Long story short, I bough.When this all s.Each step in this cycle is preceded by the audible click of what I assume is the bake relay. My diagnosis is that both the sensor and the relay are working, but something in the way the oven sets the degrees below which the flame is called for is kaput. None of the discussions Ive been able to find online even describe this. Im not sure I can even buy a part to fix this, as it appears that I would need to get a whole new control panel. How much is this repair likely to cost, if you can guess what the problem is When I press bake and start the oven starts to preheat. 10 min. I hear the pilots ignite and the oven starts to heat up, but after 1 minute it shuts off completely. The stovetop burners are working fine. What could be the problem. The stoves message plate is reading E2 F1. Any help would be appreciated. We welcome your comments andAll rights reserved. You may freely linkView our Privacy Policy here.

<http://www.raumboerse-luzern.ch/mieten/3sfe-manual>